

Valves Straight Globe Norma Jis 10k and Din PN 16

Globe valves straight with flange according to JIS 10K and DIN PN 16, developed in high resistance corrosion brass, ensuring excellent performance in maritime and offshore environments. Designed for use in fixed fire fighting systems, these valves have male BSP connection compatible with various types of adapters such as Storz, Nakajima and Machino. Available in the DN40, DN50 and DN65 nominal diameters, with 16 bar nominal operating pressure (PN16), they are ideal for critical applications where reliability and international compatibility are essential. We have no hole flange options so that the user can pierce in the dimension that suits him.

COD EUROSUL: 004382

IMPA: ---

Part Number: ---

Approvals: ---



Specifications

Features

Material: Corrosion-resistant brass

Fasteners: BSP male connection, JIS 10K standard flange, and DIN PN 16

Design: Straight body, with or without drilled flange

Applications

Fixed fire-fighting systems: On ships

Pressurized networks: Offshore platforms

Connections: For hoses and international adapters

Benefits

Readiness: Quick and secure coupling with global standards

Durability: Brass construction resistant to marine corrosion

Safety: JIS 10K and DIN PN 16 compliance ensures standardization and reliability

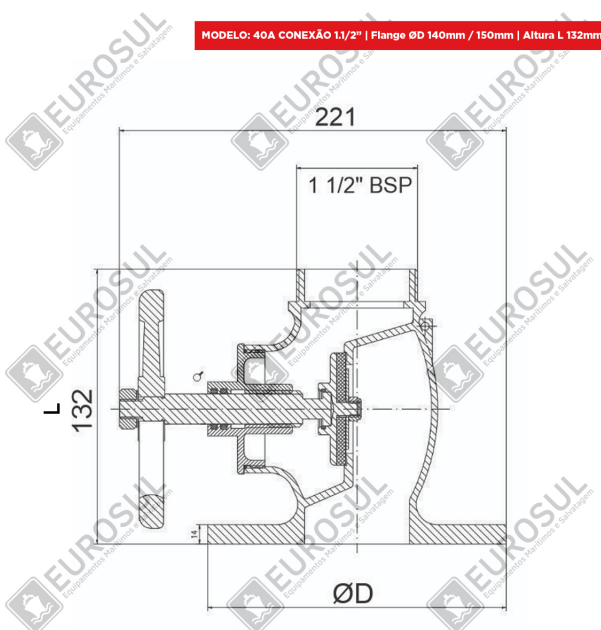
An ideal solution for fire-fighting systems that require high performance and compliance with international maritime safety standards.

Technical Specifications

Material: Brass

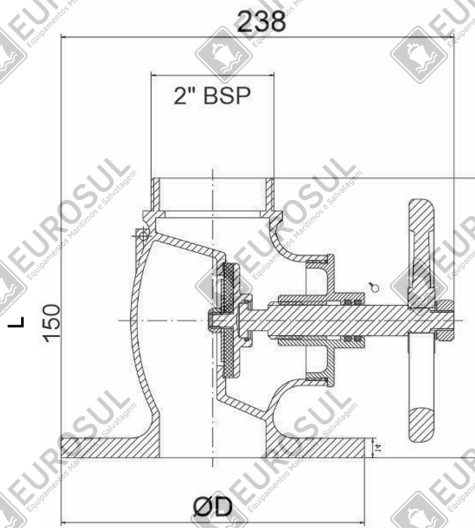
Fasteners: BSP male connection, JIS 10K flange, DIN PN 16, undrilled flanges available

MODEL: 40A CONNECTION 1.1/2" | Flange ØD 140mm / 150mm | Height L 132mm



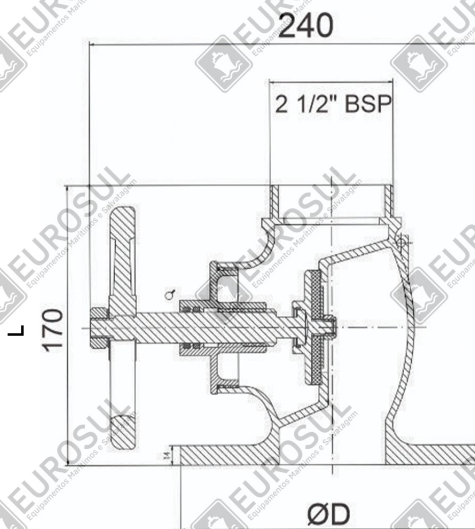
MODEL: 50A CONNECTION 2" | Flange ØD 155mm / 165mm | Height L 150mm

MODELO: 50A CONEXÃO 2" | Flange ØD 155mm / 165mm | Altura L 150mm



MODEL: 65A CONNECTION 2.1/2" | Flange ØD 175mm / 185mm | Height L 170mm

MODELO: 65A CONEXÃO 2.1/2" | Flange ØD 175mm / 185mm | Altura L 170mm



Eurosul Code	Standard	Model	Connection	ØD	L	IMPA
004382	JIS 10K	40A	1.1/2"	140MM	132MM	751712
005196	JIS 10K	40A	1.1/2"	140MM	132MM	751712
005195	DIN PN 16	40A	1.1/2"	150MM	132MM	756043

Eurosul Code	Standard	Model	Connection	ØD	L	IMPA
005192	JIS 10K	50A	2"	155MM	150MM	751717
001097	DIN PN 16	50A	2"	165MM	150MM	756044
005191	DIN PN 16	50A	2"	165MM	150MM	756044
001215	JIS 10K	65A	2.1/2"	175MM	170MM	751718
005188	JIS 10K	65A	2.1/2"	175MM	170MM	751718
005094	DIN PN 16	65A	2.1/2"	185MM	170MM	751718
005187	DIN PN 16	65A	2.1/2"	185MM	170MM	751718