

Valves Straight Globe Norma Jis 10k and Din PN 16

The Machino Coupling Cap is a crucial accessory designed to protect hydraulic and firefighting system connections. Made from high-strength brass, it offers exceptional durability and corrosion resistance, making it ideal for marine, industrial, and offshore applications.

COD EUROSUL: 091618

IMPA: ---

Part Number: ---

Approvals: ---



Specifications

Benefits

Efficient protection: Keeps connections free from dirt, debris, and damage

High durability: Made of corrosion-resistant brass, ideal for harsh environments

Safety chain: Prevents accidental loss and facilitates handling

Precise compatibility: Designed for standard Machino outlets, ensuring a secure and efficient fit

Applications

Firefighting systems: Protects hose and equipment connections when not in use

Industrial and marine sector: Suitable for hydraulic systems and fluid transfer

Harsh environments: Ideal for locations where corrosion resistance is essential

Technical Specifications

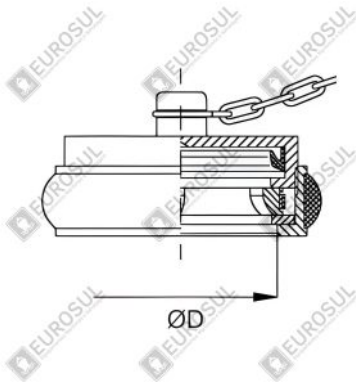
The Machino Coupling Cap is available in 40A (1.1/2"), 50A (2"), and 65A (2.1/2") models, ensuring effective sealing and protection

Material: High-strength brass

Available sizes: 40A (1.1/2"), 50A (2"), and 65A (2.1/2")

Safety chain: Included

Resistance: Withstands high pressures and corrosive environments



Eurosul Code	Model	ØD
091179	40A	1.1/2"
091178	50A	2"
091618	65A	2.1/2"