

## Reduction Storz Coupling – Models 40A, 50A and 65A

Storz reduction couplings are designed to connect hoses of different diameters quickly and safely. Used in firefighting, industrial and agricultural applications, these couplings have a rapid Storz type coupling system that facilitates connection and disconnection, ensuring efficiency in critical operations. Made of aluminum alloy or nickel-aluminum bronze, they are highly corrosion resistant and support high pressures, becoming a reliable solution for fluid transfer in demanding environments.

**COD EUROSUL:** 000890

**IMPA:** 330875

**Part Number:** ---

**Approvals:** ---



## Specifications

### Applications

Firefighting systems: Quick and secure connection between hoses and hydrants

Industrial use: Fluid transfer in supply and transportation systems

Agricultural environments: Irrigation and water supply with high-strength coupling

### Benefits

Quick deployment: Twist-lock system for immediate connection and disconnection

Secure connection: Firm and reliable coupling, minimizing leaks and ensuring efficiency under high pressure

Durability: Robust construction in aluminum alloy or nickel-aluminum bronze, highly resistant to corrosion

Versatility: Suitable for firefighting, industrial, agricultural, and municipal applications

### Technical Specifications

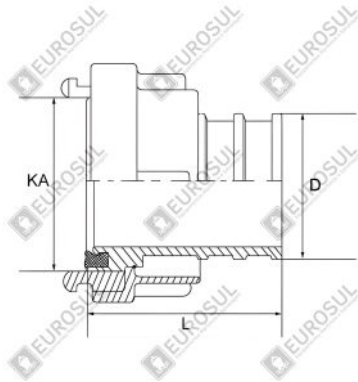
Material: Aluminum alloy or nickel-aluminum bronze

Connection Type: Storz coupling

Available Diameters: DN65 (2.1/2") x 1" | DN65 (2.1/2") x 2" | BSP 65-40A Male

Resistance: High pressure and corrosion resistance

### Dimensions



Eurosul Code	Model	ØD
000890	Reducer Storz DN65 (2.1/2") x 1"	2.1/2" x 1"
003574	Reducer Storz BSP 65-40A Male	65-40A
094287	Reducer Storz DN65 (2.1/2") x 2"	2.1/2" x 2"