

Nakajima reduction coupling- models 65A-50A, 50A-40A, 65a-40a

The Nakajima Reducing Coupling is designed to connect fire hoses of different diameters, ensuring a continuous and secure water flow in firefighting systems. Made from high-strength brass, this coupling is durable, corrosion-resistant, and ideal for marine and industrial environments. The Nakajima quick-connect system allows for secure, leak-proof connections, enabling quick assembly and disassembly without additional tools.

COD EUROSUL: 003573

IMPA: 330885

Part Number: ---

Approvals: ---



Specifications

Applications:

Firefighting: Connection between hoses of different diameters in naval and industrial installations
Maritime and offshore use: Essential for safety on vessels and platforms
Industrial hydraulic systems: Connections in locations requiring diameter adaptation

Benefits:

High resistance: Forged brass construction for maximum durability

Efficient sealing: Ensures secure and leak-free connections

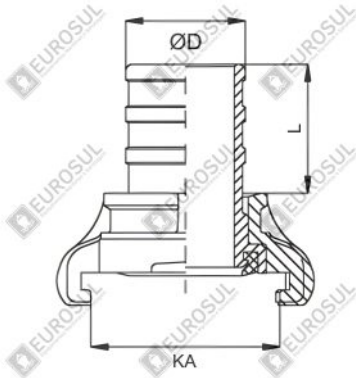
Nakajima quick coupling: Facilitates connection between hoses of different sizes

Versatile use: Suitable for naval, industrial, and offshore systems

Technical Specifications:

Connection type: Nakajima quick coupling

Material: Corrosion-resistant brass

Dimensions


Eurosul Code	Model	ØD	L	KA	IMPA
000683	40A	1.1/2"	77mm	60mm	330851
000684	50A	2"	73mm	73mm	330852
003573	65A	2.1/2"	100mm	90mm	330853