

MB1 Union Quick Hitch Storz Models 40a, 50a, 65a – 1.1/2 ”, 2”, 2.1/2 ”

The Storz quick coupling union is an essential connector for firefighting systems, ensuring efficient and secure hose connections. Made of forged brass, it offers high corrosion resistance and withstands elevated working pressures, ensuring reliable sealing and durability in demanding applications. Designed for quick assembly and disassembly, the Storz coupling is widely used in naval, offshore, industrial, and emergency environments. Its robust construction ensures maximum efficiency in critical operations.

COD EUROSUL: 003537

IMPA: ---

Part Number: ---

Approvals: ---



Specifications

Benefits

Quick and secure coupling: Enables agile connections without the need for tools

High resistance: Forged brass construction, resistant to corrosion and high pressure

Reliable sealing: Prevents leaks and entry of impurities into the system

Universal compatibility: Storz standard suitable for various fire hose systems

Applications

Firefighting systems: Secure hose connection to hydrants and pumps

Naval and offshore use: Emergency equipment for vessels and platforms

Industrial and construction sector: High-pressure fluid transfer and fire protection

Technical Specifications

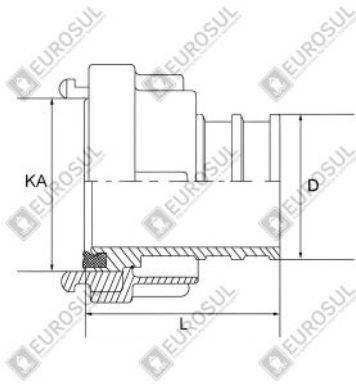
Connection Type: Storz

Corrosion Resistance:

High

Working Pressure: Designed to withstand high pressures

Quick Coupling: Yes



Eurosul Code	Model	ØD
003537	40A	1.1/2"
003850	50A	2"
003452	65A	2.1/2"