

BSP Storz Adapter

The Storz adapter with BSP thread is a quick-connect coupling designed for secure fire hose-to-valve connections. Made of forged brass or lightweight alloy, it provides excellent corrosion resistance and high working pressure capacity, ensuring durability even in harsh environments. Available in male and female models, the Storz adapter enables quick and safe connections, widely used in marine, industrial, and firefighting applications.

COD EUROSUL: 004597

IMPA: ---

Part Number: ---

Approvals: ---



Specifications

Benefits

Valve adaptation: Facilitates valve adjustment for efficient hose connection

High resistance: Robust construction against corrosion and high pressure

Quick coupling: Allows fast connections without the need for special tools

Versatility: Compatible with different hose diameters

Applications

Firefighting systems: Secure connections for hoses in hydrants and firefighting operations

Naval and offshore use: Safety equipment for ships and offshore platforms

Industrial and construction sector: Valve adaptation for hydraulic and pneumatic systems

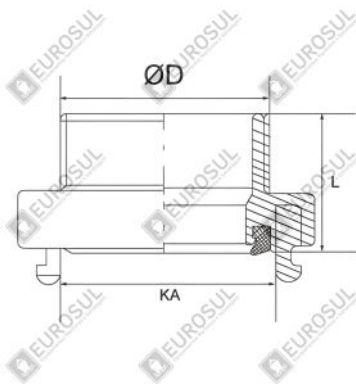
Technical Specifications

Material: Brass

Connection Type: BSP Male or Female

Corrosion Resistance: High

Working Pressure: Designed to withstand high pressures

Dimensions


Eurosul Code	Model	Thread	ØD
004597	40A	Female	1.1/2"
003969	50A	Female	2"
004928	65A	Female	2.1/2"
003858	50A	Male	2"
003899	65A	Male	2.1/2"
003983	40A	Male	1.1/2"