

Angular Globe Valves

Angle Globe Valves with JIS 10K flanges and DIN PN 16, manufactured in corrosion-resistant brass, ideal for fixed firefighting systems in ships and offshore installations. Featuring male BSP threaded connections, they are compatible with international couplings such as Storz, Nakajima, and Machino. Available in DN40, DN50, and DN65 sizes with a nominal pressure rating of 16 bar (PN16), these valves deliver reliable performance in demanding environments.

COD EUROSUL: 005196

IMPA: ---

Part Number: ---

Approvals: ---



Specifications

Features

Material: High-durability naval brass

Fasteners: Flange with and without holes (undrilled), BSP male connection

Design: Available in straight and angular versions

Applications

Valve stock: For multiple standards

Hydraulic systems: On ships, offshore platforms, and in industries

Retrofit and maintenance projects: With local adaptation

Benefits

Readiness: Immediate adaptation to different standards at the installation site

Durability: Brass body resistant to marine corrosion

Safety: Guaranteed sealing even after drilling and adaptation

The ideal choice for projects requiring flexibility, standardization, and inventory optimization without compromising compliance with international technical standards.

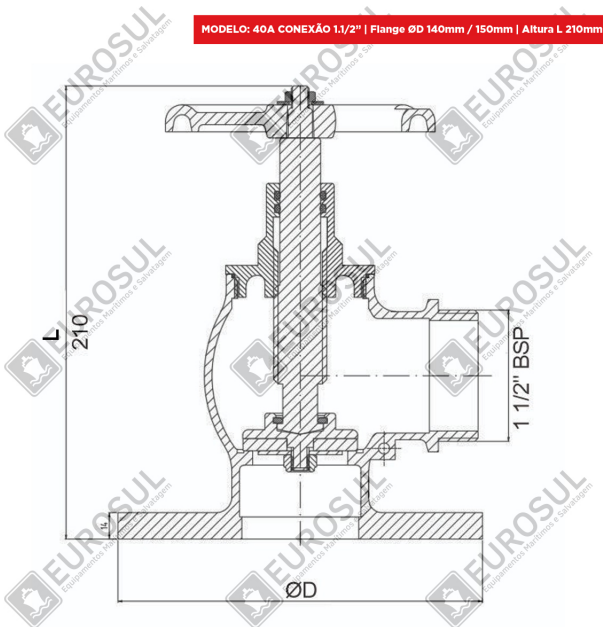
Technical Specifications

Material: Naval brass

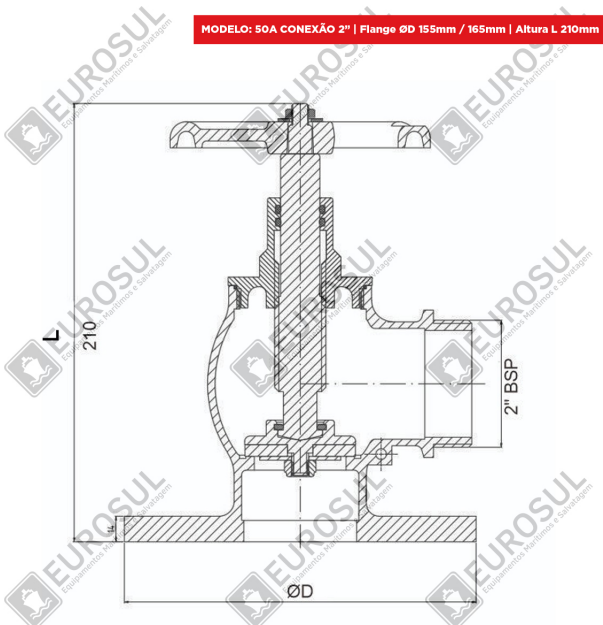
Fasteners: JIS 10K flanges, DIN PN 16 flanges, undrilled flanges

Dimensions:

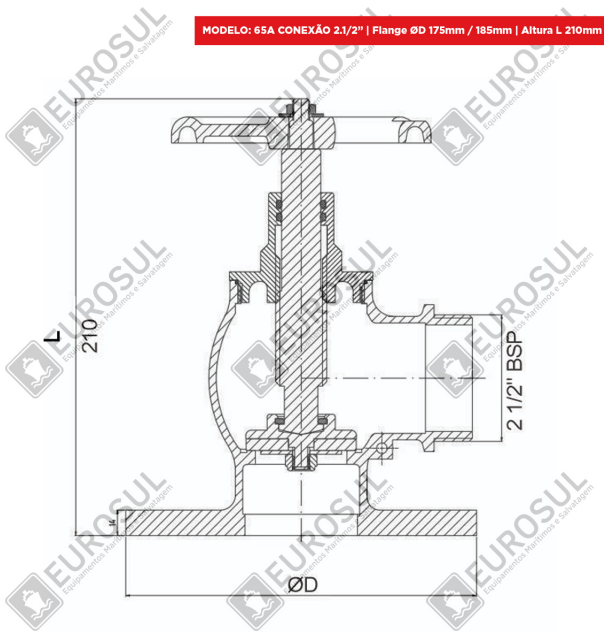
MODEL: 40A CONNECTION 1.1/2" | Flange ØD 140 mm / 150 mm | Height L 210 mm



MODEL: 50A CONNECTION 2" | Flange ØD 155 mm / 165 mm | Height L 210 mm



MODEL: 65A CONNECTION 2.1/2" | Flange ØD 175 mm / 185 mm | Height L 210 mm



Eurosul Code	Standard	Model	Connection	ØD	L	IMPA
004948	DIN PN 16	40A	1.1/2"	150MM	210MM	756055
005197	DIN PN 16	40A	1.1/2"	150MM	210MM	756055
003691	JIS 10K	40A	1.1/2"	140MM	210MM	751714
005198	JIS 10K	40A	1.1/2"	140MM	210MM	751714
003941	DIN PN 16	50A	2"	165MM	210MM	756056
005200	JIS 10K	50A	2"	155MM	210MM	751722
005194	JIS 10K	50A	2"	155MM	210MM	751722
001224	JIS 10K	65A	2.1/2"	175MM	210MM	751723
005190	JIS 10K	65A	2.1/2"	175MM	210MM	751723
005189	DIN PN 16	65A	2.1/2"	185MM	210MM	756057